

7910 Series Multi-Melody IC



- Clear Electronic Sound
- Usable for Wide-ranged Application
- Low Power Dissipation & Supply Voltage

DESCRIPTION

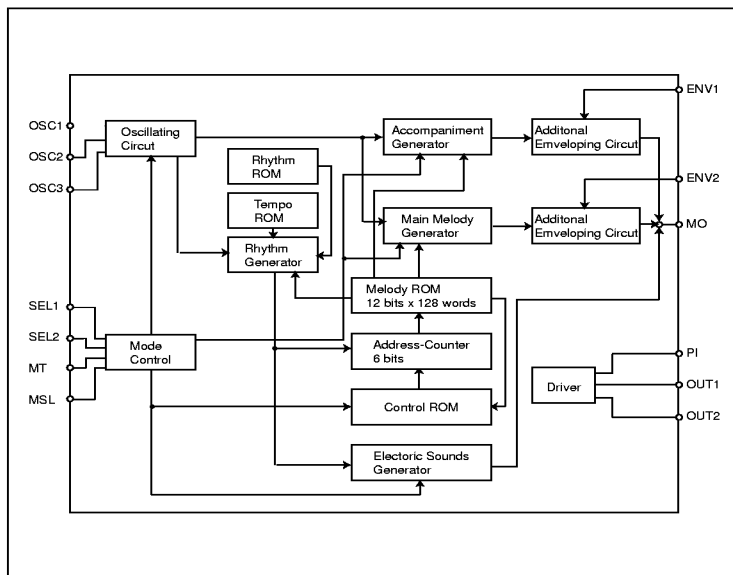
The series 7910 is a CMOS IC which plays prearranged melodies and alarm sounds electronically. Built-in oscillation circuit generates acoustic pulses, then melodies and alarm sounds are formed with only a few external discrete parts including resistor, capacitor, speaker etc. Thus the 7910 can enjoy various applications such as replacement for conventional music box and alarm sound generator.

NOTE: These are ongoing user service products.

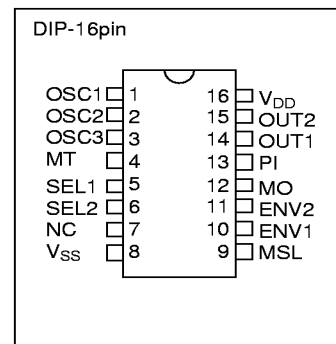
FEATURES

- Melody 2 or 1
- Musical interval Temperament or pure temperament
- Sound 2 series, 2.5 octave
Compound interval or accompaniment are possible. (One octave interval)
- Tempo 16 kinds (Prest to Largo). Two tempos in one piece.
- Note Basic note ♪ ♫ ♬ ♧ ♨ , and also possible for ♩ ♪ ♫ ♬
- Rest According to note
- Repeat Continuous performance of pieces, and repeats (8 times at most) of a piece.
- Beginning Always starts at the beginning of piece.
- Alarm Chime Two (not always equipped)
- Input signal 1 start signal, 3 selective signals.
- Envelope External CR (2 series)
- Volume control From external circuit (volume etc.)
- Oscillation C, R oscillator (C, R external connection)
- Voltage 1.5V
- Package DIP-16pin (plastic)

BLOCK DIAGRAM



PIN CONFIGURATION



■ PIN DESCRIPTION

Pin Name	Pin No.	Functions	Pin Name	Pin No.	Functions
OSC1	1	Connected with Capacitor (Co), resistor (R3,R4) regulates the oscillation frequency.	ENV1	10	Connected with C ₁ , R ₁ , C ₂ and R ₂ regulates the time-constant of envelope.
OSC2	2		ENV2	11	
OSC3	3				
MT	4	Performance starts on setting this terminal Hi.	MO	12	Un-amplified output of melody.
			PI	13	Input the pulse from MO into pre-amplifier.
SEL1	5	Input switches for selecting melodies.	OUT1	14	Output terminals of pre-amplifier.
SEL2	6		OUT2	15	Connected to the bipolar transistors for speaker drive.
MSL	9				


■ ABSOLUTE MAXIMUM RATINGS

(V_{SS}=0V)

Rating	Symbol	Value	Unit
Supply voltage	V _{DD}	-0.3 to 5.0	V
Input/Output voltage	V _{I/O}	-0.2 to V _{DD} +0.2	V
Operating temperature	T _{opr}	-20 to 65 (V _{DD} =1.5V)	°C
Storage temperature	T _{stg}	-65 to 150	°C
Soldering temperature and time	T _{sol}	260°C, 10s (at lead)	—

■ ELECTRICAL CHARACTERISTICS

(V_{SS}=0V, Ta=25°C)

Characteristic	Symbol	Condition	Min.	Typ.	Max.	Unit
Supply voltage	V _{DD}	—	1.25	1.5	2	V
High level input voltage(1)	V _{IH1}	MSL, SEL1, SEL2	V _{DD} -0.1	V _{DD}	V _{DD}	V
High level input voltage(2)	V _{IH2}	MT	V _{SS} +1	V _{DD}	V _{DD}	V
Low level input voltage	V _{IL}	—	V _{SS}	V _{SS}	V _{SS} +0.1	V
High level input current	I _{IH}	V _{DD} =1.5V V _{IH} =V _{DD}	1.5	—	15	μA
Low level input current	I _{IL}	V _{DD} =1.5V V _{IL} =V _{SS}	—	—	0.05	μA
Low level output current	I _{OL}	V _{DD} =1.25V V _{OL1} =0.5V	150	—	—	μA
High level output current	I _{OH}	V _{DD} =1.25V V _{OH1} =0.7V	150	—	—	μA
Scatter of output current	$\frac{I_{OH}}{I_{OL}}$	V _{DD} =1.25V	0.2	—	5	—
Rise time of enveloping circuit	t _r	V _{DD} =1.5V C ₁ =C ₂ =4.7μF R ₁ =R ₂ =120kΩ	—	—	5	ms
Average operating current	I _{DDO}	MI=V _{DD} =1.5V OUT1, OUT2 Terminal open	—	70	100	μA
Stand-by current (Oscillation halting)	I _{DDS}	V _{DD} =1.5V	—	2	20	μA
Delay time for play-start	t ₁	f _{OSC} =47.5kHz V _{DD} =1.5V	—	—	0.4	s
Delay time for play-stop	t ₂	f _{OSC} =47.5kHz V _{DD} =1.5V	0.2	—	0.5	s
Chattering period of switch	t _{ch}	f _{OSC} =47.5kHz V _{DD} =1.5V	—	—	 one beat	—

■ OSCILLATION CHARACTERISTICS

(V_{SS}=0V, Ta=25°C)

Characteristic	Symbol	Condition	Min.	Typ.	Max.	Unit
Oscillation frequency	f _{osc}	Standard constant V _{DD} =1.5V	-	47.5	-	kHz
Oscillation self-start voltage	V _{STA}	Standard constant	1.25	-	-	V
Oscillation stop voltage	V _{STP}	Standard constant	-	-	1.25	V

■ FUNCTIONS

MELODY IC 7910 series has 3 kinds of tune selection methods charted as follows.

Starting performance, MT terminal to be V_{DD} level always.

●1. Spec. of IC 2 tunes + 2 electronic sounds

Type: 7910I, 7910CE, 7910CF, 7910CG, 7910CH, 7910CN, 7910CP, 7910CR, 7910CS, 7910CU, 7910CV, 7910CW, 7910CQ

	SEL1	SEL2	MSL
Tune 1	OP	OP	L
Tune 2	OP	OP	H
Electronic sound 1 (Buzzer)	OP	H	—
Electronic sound 2 (Chime)	H	OP	—
Tune 1 test performance	H	H	L
Tune 2 test performance	H	H	H

●2. Spec. of IC 2 tunes + no electronic sound

Type: 7910G, 7910K, 7910N, 7910O, 7910P, 7910Q

	SEL1	SEL2
Tune 1	OP	OP
Tune 2	OP	H
Tune 1 test performance	H	H
Tune 2 test performance	H	OP

*Connection of SEL1 is not necessary If test performance is not need.

●3. Spec. of IC 1 tune + 2 electronic sounds

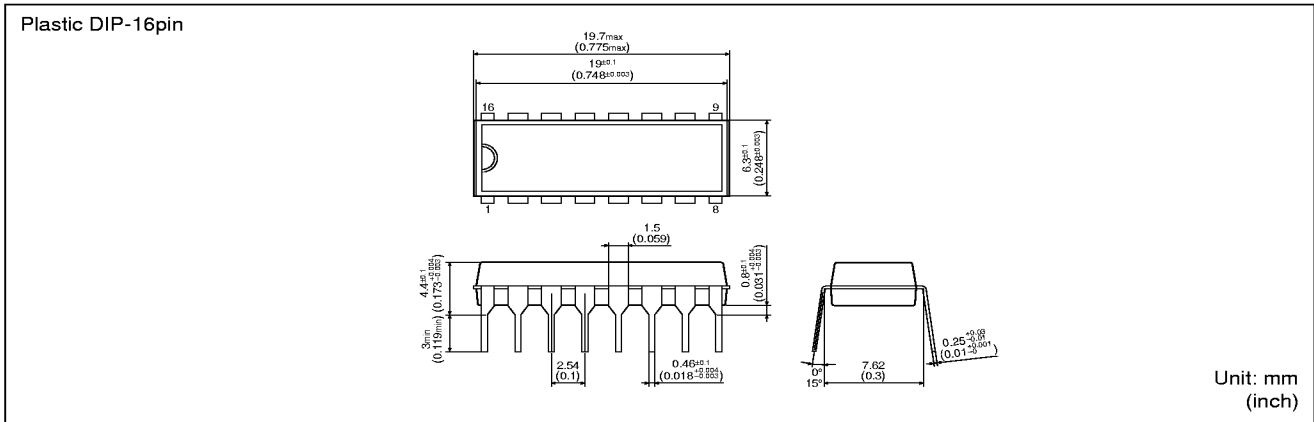
Type: 7910C, 7910T

	SEL1	SEL2
Tune	OP	OP
Electronic sound 1 (Buzzer)	OP	H
Electronic sound 2 (Chime)	H	OP
Tune test performance	H	H

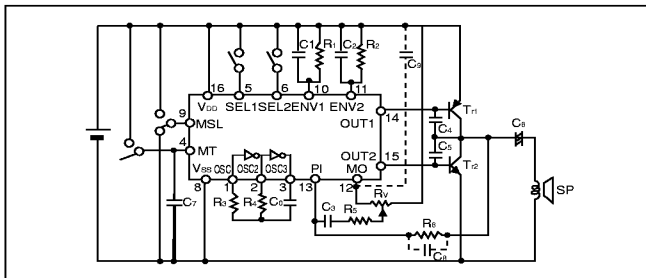
Notes:

- In case of spec. 2 and 3, connection of MSL terminal is not necessary.
- Explanation of Mark
OP: Terminal is Open, H: V_{DD} level, L:V_{SS} level
- Function of input terminals
 - The terminals SEL1 and SEL2 are always pulled down to V_{SS} level
 - When SEL1 and SEL2 are Hi, it operates as TEST MODE. In this case tempo of performance is accelerated eight times as fast as normal one.
 - As the terminal MSL is an open input terminal and has neither Pull-up nor Pull-down, they always must be kept at V_{SS} or V_{DD} level.

■ PACKAGE DIMENSIONS



■ BASIC EXTERNAL CONNECTION



Attention

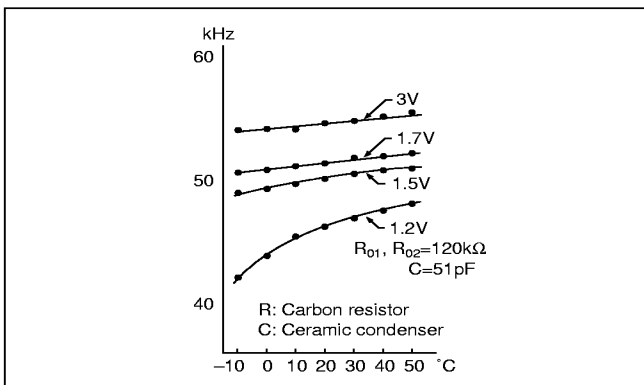
1. Oscillation frequency (fosc) changes according to variation of R3, R4, C0 but stability of frequency will be worse.
2. In case of Values of R3, R4, C0 are fixed, difference of (fosc) among discrete circuit will happen.
3. We feel melody differently variation of C1, C2, R1, R2.
4. Value adjustment is done by Vr.
5. If C4 and C5 are too small, there will oscillation at the part of low frequency amplifier circuit.
6. It is possible that fluctuation of oscillation frequency become larger with increase of battery impedance. In that case, connecting condenser between VDD and VSS is desirable.
7. Putting C8 or and C9 into the circuit, the sounds get softer, whereas volume gets smaller.

<Recommendable conditions of discrete parts>

Symbol of parts	Recommendable value	Unit
C0	51	pF
C1, C2	4.7	μF
R1, R2	120	kΩ
R3, R4	131	kΩ
C3	0.047 to 0.1	μF
Rv	Variable resistance to 50	kΩ
R5	51 to 150	kΩ
R6	510	kΩ
C4	0.01 to 0.047	μF
C5	0.001 or nothing	μF
Tr1	(PNP)2SA 683(2SA684)	—
Tr2	(NPN)2SC 1383(2SC1384)	—
C6	100 to 300	μF
C7	0.1	μF
C8, C9	0.001	μF

■ CHARACTERISTICS CURVE

● Oscillation characteristics



● Output frequency characteristics

