

HA11517BNT

T-77-07-11

Display Deflection Signal Processor

The HA11517BNT is a horizontal and vertical deflection signal processing IC for display use constructed in a bipolar IIL process.

Functions

- Horizontal AFC
- Horizontal oscillator
- X-Ray protection
- Horizontal drive
- Vertical pre-drive
- Blanking

Features

- Wide horizontal frequency range: 15 kHz to 100 kHz
- Clamp pulse for pedestal clamp
- Composite blanking pulse output with horizontal phase adjustment
- Variable horizontal pulse width
- Variable horizontal display position
- Separated sync. signal and composite sync. signal with either polarity is acceptable.
- Vertical and horizontal oscillating frequency become higher, without sync. signal.

Ordering Information

Type No.	Package
HA11517BNT	DP-30S

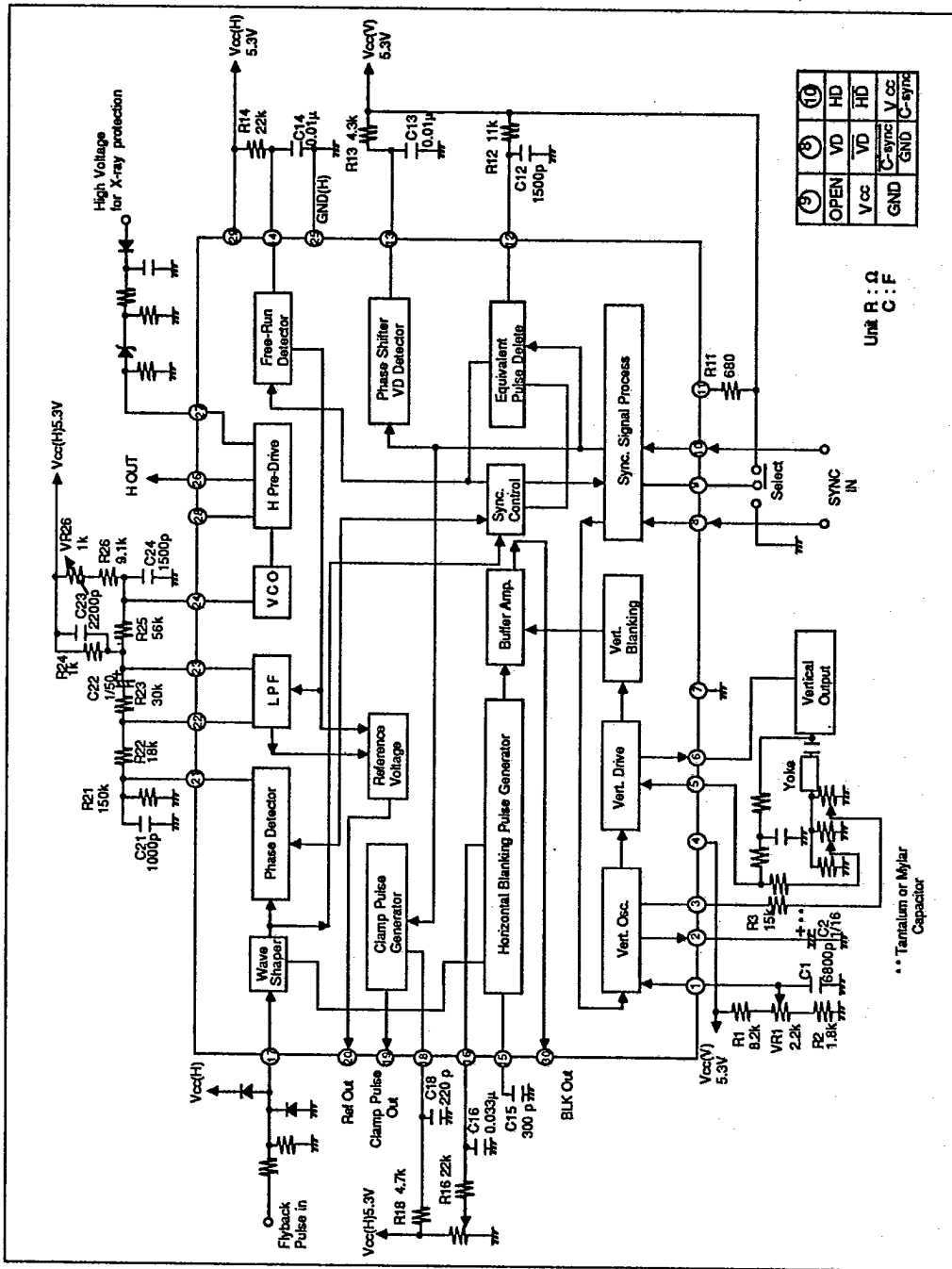


Hitachi America, Ltd. • Hitachi Plaza • 2000 Sierra Point Pkwy. • Brisbane, CA 94005-1819 • (415) 589-8300

HA11517BNT

T-77-07-11

Block Diagram



60 Hitachi America, Ltd. • Hitachi Plaza • 2000 Sierra Point Pkwy. • Brisbane, CA 94005-1819 • (415) 589-8300

HA11517BNT

T-77-07-11

Table 1 Pin Function

Pin No.	Function
1	Determination of the vertical OSC. frequency
2	Connected to capacitor for vertical OSC
3	Connected to resistor for the determination of the vertical OSC. discharging time constant
4	Power supply for vertical oscillator
5	Feedback input for the vertical DC/AC output voltage
6	Vertical output
7	Ground for vertical oscillator
8	VD or negative composite sync. signal input
9	Sync. signal input selector
10	HD or positive composite sync. signal input
11	Power supply for IIL
12	Determination of the time constant in order to delete the equivalent pulse
13	Determination of the phase shift time for the horizontal display position adjustment
14	The time constant for the free-run detector
15	Connected to capacitor for the horizontal blanking phase adjustment
16	The horizontal blanking phase adjustment
17	Fly-back pulse input
18	Clamp pulse width adjustment
19	Clamp pulse output
20	Reference voltage output for multi-scanning purpose
21	Output for the horizontal phase detector
22	Input for the low pass filter
23	Output DF the low pass filter



Hitachi America, Ltd. • Hitachi Plaza • 2000 Sierra Point Pkwy. • Brisbane, CA 94005-1819 • (415) 589-8300

61

HA11517BNT

T-77-07-11

Pin Function (cont)

24	Connected to the horizontal oscillator CR
25	Ground for horizontal oscillator
26	Horizontal output
27	Input for X-RAY protector
28	Horizontal pulse width adjustment
29	Power supply for the horizontal oscillator
30	Composite blanking output



62 Hitachi America, Ltd. • Hitachi Plaza • 2000 Sierra Point Pkwy. • Brisbane, CA 94005-1819 • (415) 589-8300

HA11517BNT

Table 2 Absolute Maximum Ratings (Ta = 25 °C)

T-77-07-11

Item	Symbol	Rating	Unit
Vertical supply voltage	Vcc	7	V
Horizontal supply voltage	Vcc	7	V
Power dissipation	Pr	850	mW
Operating temperature	Topr	0 to +70	°C
Storage temperature	Tstg	-55 to +125	°C

Table 3 Electrical Characteristics (Ta = 25 °C, Vcc = 5.3 V)

Item	Symbol	Min	Typ	Max	Unit	Test conditions
Power supply voltage	Vcc	5.0	5.3	5.5	V	
Horizontal supply current	Icch	—	38	—	mA	
Horizontal oscillator	Vos	—	—	4.0	V	
Starting supply voltage	START					
Horizontal pull-in range	Δf_{PH}	± 10	—	—	%	
Horizontal output pulse duty		—	40	—	%	
Vertical supply current	IccV	—	7	—	mA	
Vertical oscillator frequency	fv	—	55	—	Hz	
Vertical pull-in range	Δf_{PV}	—	-13	—	Hz	
Vertical blanking pulse raising delay time		—	30	—	μs	
X-RAY protection operating voltage		—	0.8	—	V	

