

Precision voltage regulator

μ A723/723C

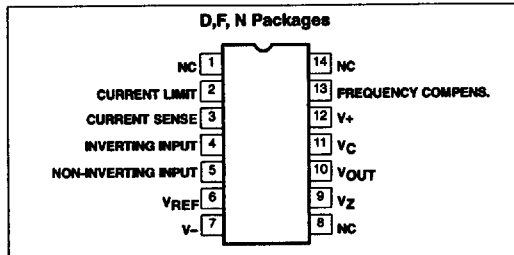
DESCRIPTION

The μ A723/ μ A723C is a monolithic precision voltage regulator capable of operation in positive or negative supplies as a series, shunt, switching, or floating regulator. The 723 contains a temperature-compensated reference amplifier, error amplifier, series pass transistor, and current limiter, with access to remote shutdown.

FEATURES

- Positive or negative supply operation
- Series, shunt, switching, or floating operation
- 0.01% line and load regulation
- Output voltage adjustable from 2V to 37V
- Output current to 150mA without external pass transistor
- μ A723 MIL-STD-883A, B, C available

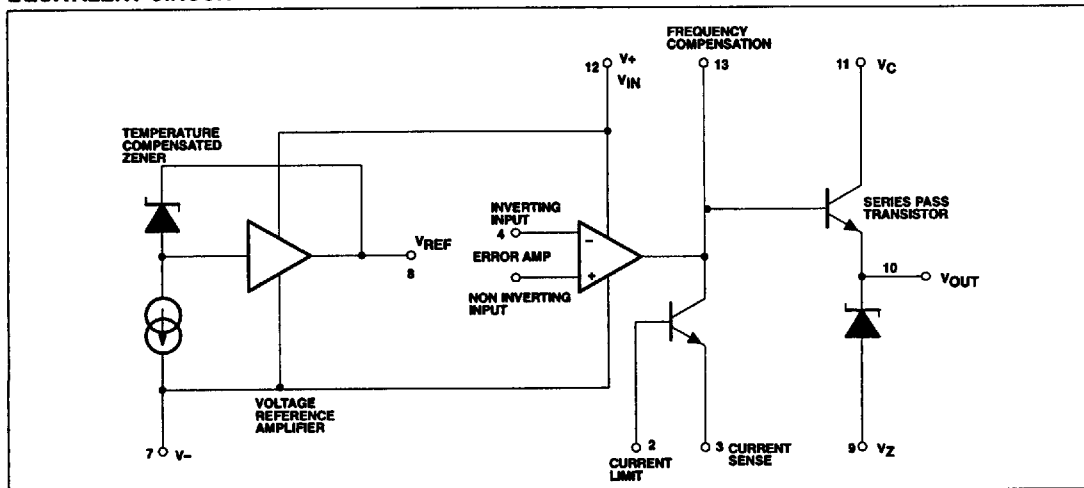
PIN CONFIGURATION



ORDERING INFORMATION

DESCRIPTION	TEMPERATURE RANGE	ORDER CODE	DWG #
14-Pin Ceramic Dual In-Line Package (CERDIP)	-55°C to 125°C	μ A723F	0581B
14-Pin Plastic Dual In-Line Package (DIP)	0 to 70°C	μ A723CN	0405B
14-Pin Plastic Small Outline (SO) Package	0 to 70°C	μ A723CD	0175D

EQUIVALENT CIRCUIT



Precision voltage regulator

 μ A723/723C

ABSOLUTE MAXIMUM RATINGS

SYMBOL	PARAMETER	RATING	UNIT
	Pulse voltage from V_+ to V_- (50ms)	50	V
	Continuous voltage from V_+ to V_-	40	V
	Input-output voltage differential	40	V
V_{DIFF}	Error amplifier maximum input differential voltage	± 5	V
V_{CM}	Error amplifier non-inverting input (Pin 5) to $-V$ (Pin 7)	8	V
I_{OUT}	Maximum output current	150	mA
	Current from V_{REF}	15	mA
	Current from V_Z	25	mA
P_{MAX}	Maximum power dissipation $T_A=25^\circ\text{C}$ (still-air) ¹		
	F package	1190	mW
	N package	1420	mW
	D package	1040	mW
T_A	Operating ambient temperature range		
	μ A723	-55 to +125	$^\circ\text{C}$
	μ A723C	0 to 70	$^\circ\text{C}$
T_{STG}	Storage temperature range	-65 to +150	$^\circ\text{C}$
T_{SOLD}	Lead soldering temperature (10sec max)	300	$^\circ\text{C}$

NOTES:

- The following derating factors should be applied above 25°C
 F package at $9.5\text{mW}/^\circ\text{C}$
 N package at $11.4\text{mW}/^\circ\text{C}$
 D package at $8.3\text{mW}/^\circ\text{C}$

Precision voltage regulator

 μ A723/723C

DC ELECTRICAL CHARACTERISTICS

 $T_A=25^\circ\text{C}$, unless otherwise specified.¹

SYMBOL	PARAMETER	TEST CONDITIONS	μ A723			μ A723C			UNITS
			Min	Typ	Max	Min	Typ	Max	
$V_{R\text{ LINE}}$	Line regulation ²	$V_{IN}=12\text{V}$ to $V_{IN}=15\text{V}$ $V_{IN}=12\text{V}$ to $V_{IN}=40\text{V}$		0.01 0.02	0.1 0.2		0.01 0.1	0.1 0.5	% V_{OUT}
$V_{R\text{ LOAD}}$	Load regulation ²	$I_L=1\text{mA}$ to $I_L=50\text{mA}$		0.03	0.15		0.03	0.2	% V_{OUT}
$\Delta V_{IN}/\Delta V_O$	Ripple Rejection	$f=50\text{Hz}$ to 10kHz , $C_{REF}=0$		74			74		dB
		$f=50\text{Hz}$ to 10kHz , $C_{REF}=5\mu\text{F}$		86			86		
I_{OS}	Short-circuit current	$R_{SC}=10\Omega$, $V_{OUT}=0$		65			65		mA
V_{REF}	Reference voltage	$I_{REF}=0.1\text{mA}$	6.95	7.15	7.35	6.80	7.15	7.50	V
$V_{REF\text{ (LOAD)}}$	Reference voltage change with load	$I_{REF}=0.1\text{mA}$ to 5mA			20			20	mV
V_{NOISE}	Output noise voltage	$BW=100\text{Hz}$ to 10kHz , $C_{REF}=0$		20			20		μV_{RMS}
		$BW=100\text{Hz}$ to 10kHz , $C_{REF}=5\mu\text{F}$		2.5			2.5		
S	Long-term stability	$T_J=T_{Jmax}$, $T_A=25^\circ\text{C}$ for end point measurement		0.1			0.1		%1000 hrs.
I_{SCD}	Standby current drain	$I_L=0$, $V_{IN}=30\text{V}$		2.3	3.5		2.3	4.0	mA
V_{IN}	Input voltage range		9.5		40	9.5		40	V
V_{OUT}	Output voltage range		2.0		37	2.0		37	V
V_{DIFF}	Input-output voltage differential		3.0		38	3.0		38	V
The following specifications apply over the operating temperature ranges.									
$V_{R\text{ LINE}}$	Line regulation	$V_{IN}=12\text{V}$ to $V_{IN}=15\text{V}$			0.3			0.3	% V_{OUT}
$V_{R\text{ LOAD}}$	Load regulation	$I_L=1\text{mA}$ to $I_L=50\text{mA}$			0.6			0.6	% V_{OUT}
TC	Average temperature coefficient of output voltage			0.002	0.015		0.003	0.015	%/ $^\circ\text{C}$

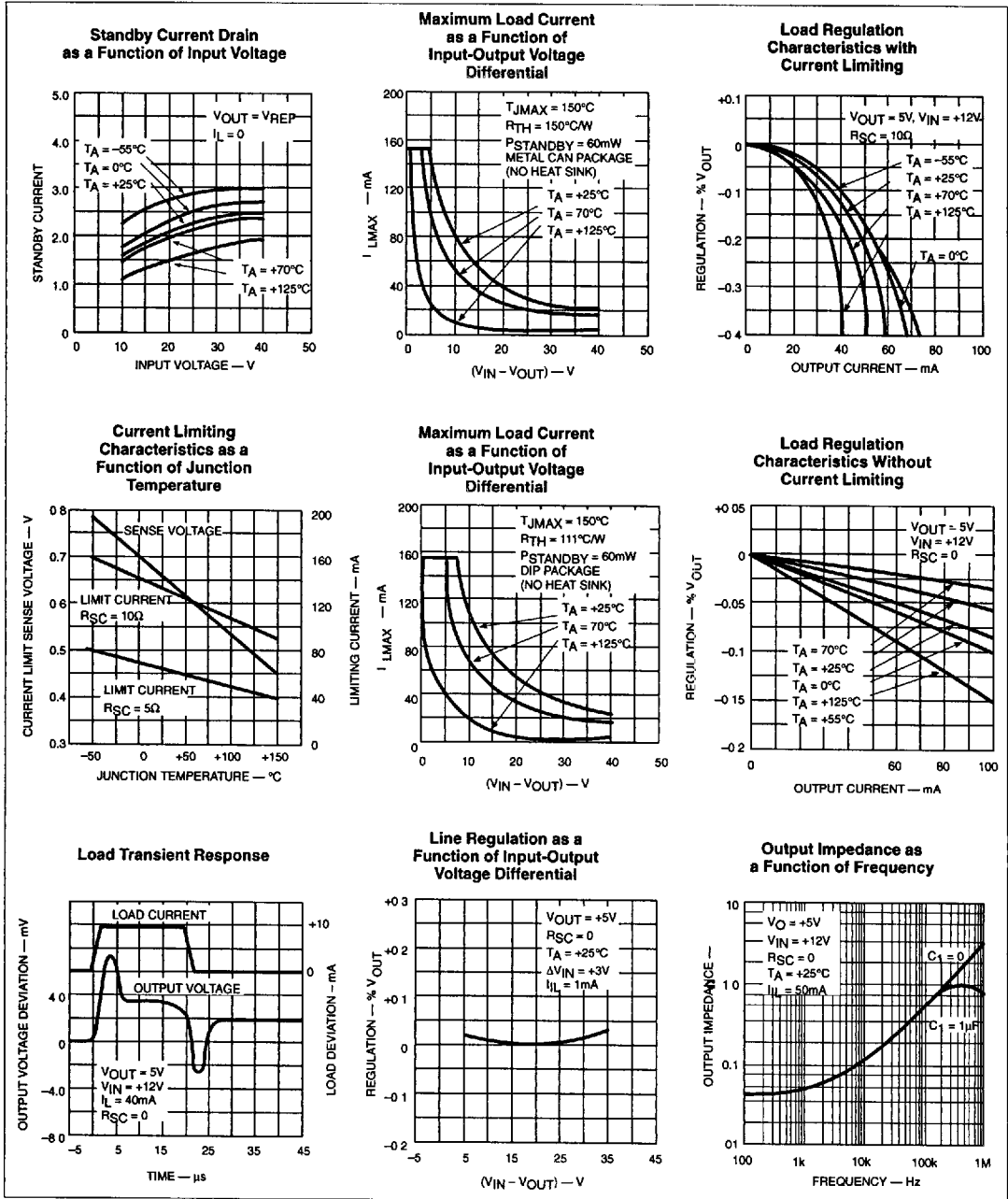
NOTES:

- $V_{IN}=V_+=V_C=12\text{V}$, $V_-=0\text{V}$, $V_{OUT}=5\text{V}$, $I_L=1\text{mA}$, $R_{SC}=0$, $C_1=100\text{pF}$, $C_{REF}=0$ and divider impedance as seen by error amplifiers $\leq 10\text{k}\Omega$.
- The load and line regulation specifications are for constant junction temperature. Temperature drift effects must be taken into account separately when the unit is operating under conditions of high dissipation.

Precision voltage regulator

μ A723/723C

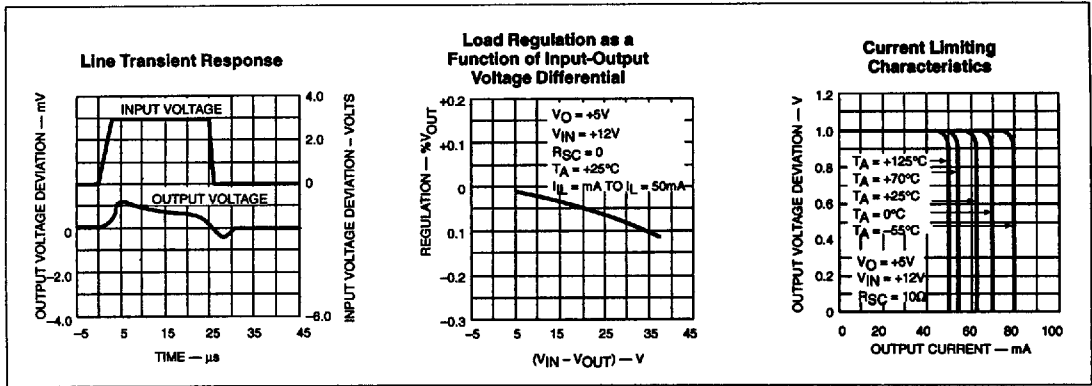
TYPICAL PERFORMANCE CHARACTERISTICS



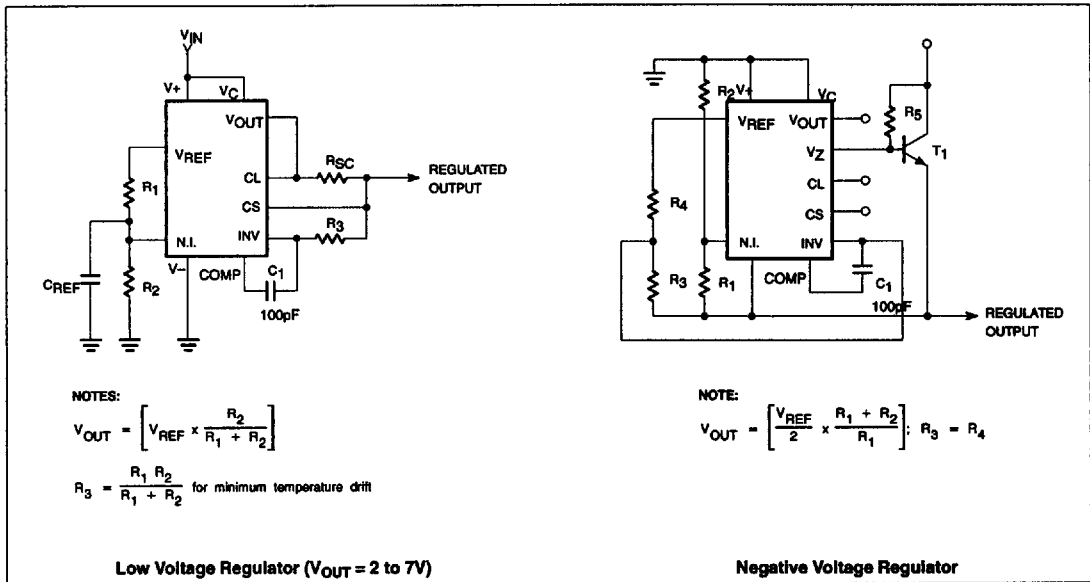
Precision voltage regulator

μA723/723C

TYPICAL PERFORMANCE CHARACTERISTICS (Continued)



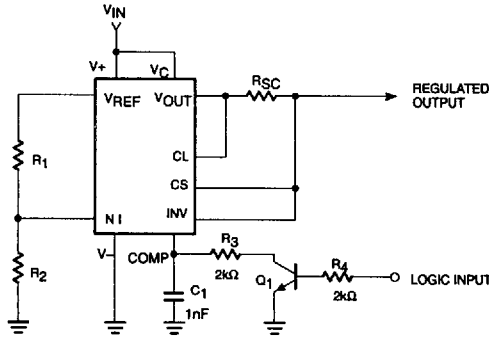
TYPICAL APPLICATIONS



Precision voltage regulator

μA723/723C

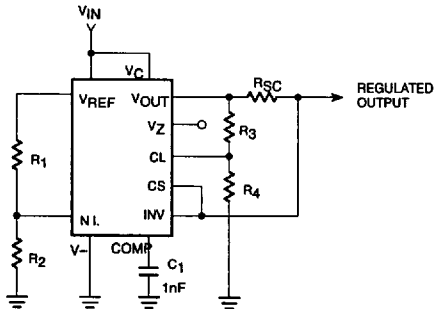
TYPICAL APPLICATIONS (Continued)



NOTE:

$$V_{OUT} = \left[V_{REF} \times \frac{R_2}{R_1 + R_2} \right]$$

Remote Shutdown Regulator With Current Limiting ($V_{OUT} = 2$ to $7V$)



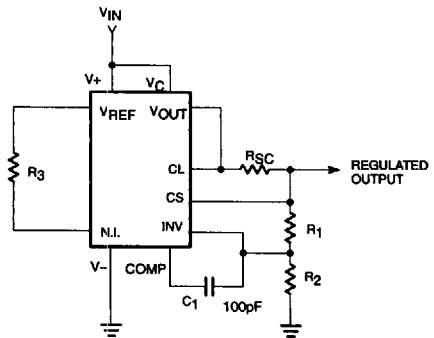
NOTES:

$$I_{KNEE} = \left[\frac{V_{OUT} R_3}{R_{SC} R_4} + \frac{V_{SENSE} (R_3 + R_4)}{R_{SC} R_4} \right]$$

$$V_{OUT} = \left[V_{REF} \times \frac{R_1 + R_2}{R_4} \right]$$

$$I_{SHORT\ CKT} = \left[\frac{V_{SENSE}}{R_{SC}} \times \frac{R_3 + R_4}{R_4} \right]$$

Foldback Current Limiting Regulator ($V_{OUT} = 2$ to $7V$)



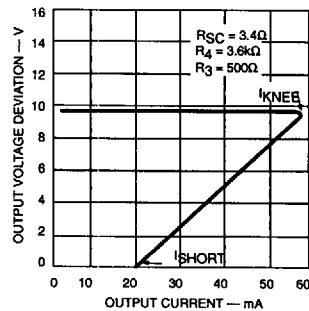
NOTE:

$$V_{OUT} = \left[V_{REF} \times \frac{R_2}{R_1 + R_2} \right]; R_3 = R_4$$

$$R_3 = \frac{R_1 R_2}{R_1 + R_2} \text{ for minimum temperature drift}$$

R_3 may be eliminated for minimum component count

High Voltage Regulator ($V_{OUT} = 7$ to $37V$)



NOTES:

$$\frac{R_4}{R_3} = \frac{V_{OUT} I_{SC}}{V_{SENSE} (I_{KNEE} - I_{SHORT\ CKT})} - 1$$

$$R_{SC} = \frac{V_{SENSE}}{I_{SC}} \left[1 + \frac{R_3}{R_4} \right]$$